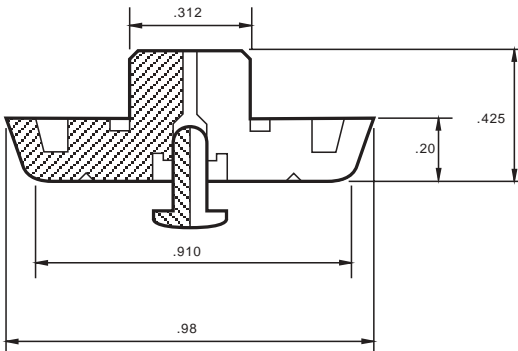




Perm-A-Foot

Ideal for heavy duty applications such as computers, business machines, or any table-top equipment. Comes preassembled, simply insert the spreadable prongs into the mounting hole and push pin for fast, durable installation. Molded of pliable skid resistant elastomer.



Special Requirements

The items you find in this catalog are meant to serve the needs of most users in each product category. We recognize that in many cases our sizes and configurations may not fit your application exactly, and we are very willing to discuss your needs on an individual basis.

Our molds have been built in a modular, scalable fashion. In many cases, we can accommodate special needs with minimal engineering changes. Call your WCL representative at 800-331-3816 for details.