

INSERT GLIDES



CARPET GRIPPER GLIDES



PART NUMBER	BASE DIAMETER	SHANK DIAMETER	SHANK HEIGHT	MATERIAL	COLOR
207BN-2003-0000	1.531"	0.545"	0.170"	BUTYRATE	CLEAR
207BN-2004-0000	0.900"	0.545"	0.170"	BUTYRATE	CLEAR
207BN-2005-0200	1.750"	1.600"	-	BUTYRATE	CLEAR

SPECIFICATIONS

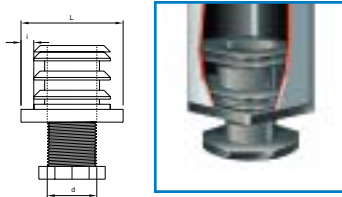
- Standard Color: Clear
- Standard Material: Butyrate

207 Series

Carpet Gripper Glides are used to provide stability to furniture placed on carpet, while at the same time protecting the carpet from damage from furniture legs.



ROUND ADJUSTABLE INSERTS



PART NUMBER	TUBE SIZE (I)		GAUGE	THREAD SIZE	(LBS APPROX) AXIAL LOAD	QTY
	(IN.)	(MM.)				
RAI-100	1-1/4	32	14 TO 18	M22 X 1"	660	100
RAI-200	1-3/8	35	14 TO 18	M22 X 1"	660	100
RAI-300	1-1/2	40	14 TO 18	M22 X 1"	660	100
RAI-400	1-3/4	45	14 TO 18	M30 X 1.2"	660	100
RAI-500	2	50	14 TO 18	M30 X 1.2"	660	100
RAI-600	2-1/4	60	14 TO 18	M42 X 1.5"	660	100
RAI-700	3-1/8	80	14 TO 18	M56 X 1.5"	660	100

SPECIFICATIONS

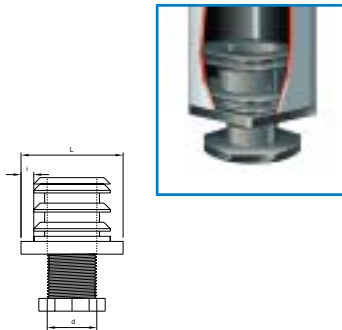
- Standard Color: Black
- Standard Material: Nylon

RAI Series

- Rugged, durable, heavy duty.
- Resists lateral stresses.
- Threaded insert and height adjuster in one piece.



SQUARE ADJUSTABLE INSERTS



PART NUMBER	TUBE SIZE (I)		GAUGE	THREAD SIZE	(LBS APPROX) AXIAL LOAD	QTY
	(IN.)	(MM.)				
SAI-100	0.787	20	14 TO 18	M10 X 1"	220	100
SAI-200	0.866	22	14 TO 18	M10 X 1"	220	100
SAI-300	1.000	25	14 TO 18	M16 X 1"	330	100
SAI-400	1.181	30	14 TO 18	M22 X 1"	660	100
SAI-500	1.375	35	14 TO 18	M22 X 1"	660	100
SAI-600	1.500	40	14 TO 18	M22 X 1"	660	100
SAI-700	1.750	45	14 TO 18	M30 X 1.18"	660	100
SAI-800	2.000	50	14 TO 18	M30 X 1.18"	660	100

SPECIFICATIONS

- Standard Color: Black
- Standard Material: Nylon

SAI Series

- Rugged, durable, heavy duty.

TUBE GAUGE CALCULATION

Metal Tubes are available in various tube gauges, although the most commonly used in furniture manufacture range from 10 to 20 gauge.

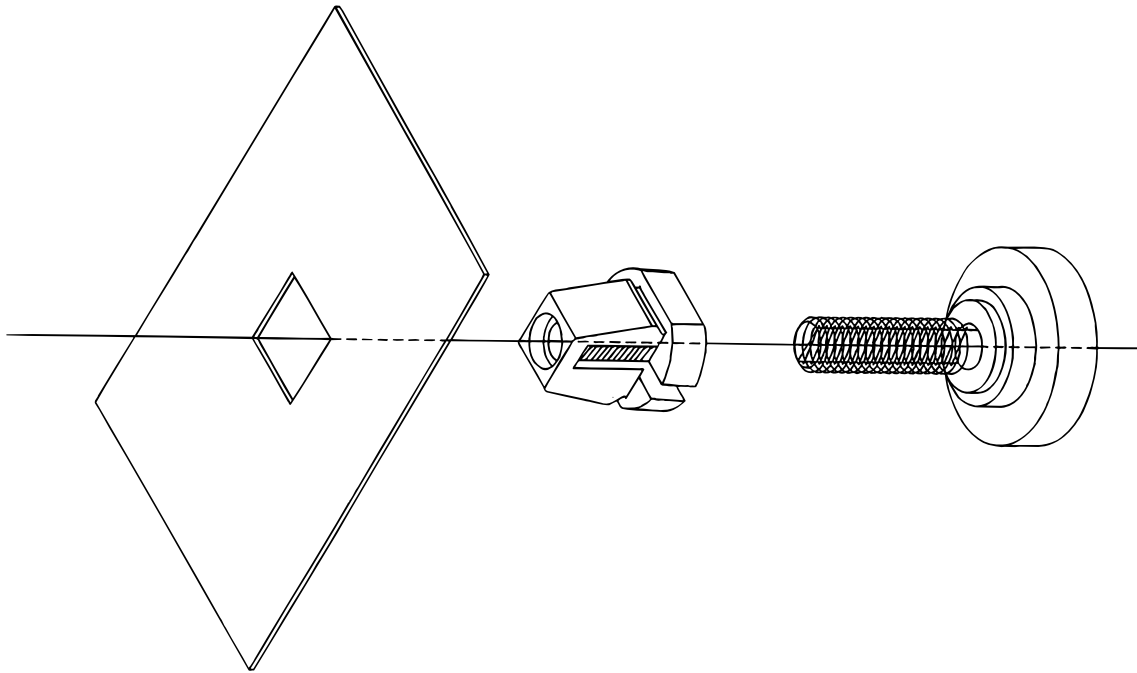
To use this guide, calculate the wall thickness of the tube by subtracting the inside diameter from the outside diameter and dividing by 2. By cross-referencing this wall thickness on the table below, the tube gauge is obtained.

Wire Gauge Conversion Chart

GAUGE	WALL THICKNESS*		GAUGE	WALL THICKNESS*	
	(IN.)	(MM)		(IN.)	(MM)
10	0.128	3.25	17	0.056	1.42
11	0.116	2.95	18	0.048	1.22
12	0.104	2.64	19	0.040	1.02
13	0.092	2.34	20	0.036	0.91
14	0.080	2.03	21	0.032	0.81
15	0.072	1.83	22	0.028	0.71
16	0.064	1.63			

*Remember, the lower the gauge, the thicker the wall thickness.

LEG LEVELING GROMMETS



PART NUMBER	PANEL HOLE SIZE*	PANEL THICKNESS RANGE	SCREW SIZE	HEAD SIZE A	HEAD HEIGHT B	PRONG LENGTH C
212-260400-01	.500 SQ.	.031-.040	5/16"-18"	.616-.656 x .730-.770 RECT.	.175-.185	.600-.620

NOTE: Dimensions listed are nominal.

SAMPLES SERVICE

To request a sample of any of our products to evaluate before ordering, please call us toll free at **1-800-331-3816**, or visit our web site www.wclco.com

