

# DRAWER HARDWARE

Alliance Plastics manufactures an extensive range of plastic pulls manufactured in both ABS and Nylon. Our Drawer Pulls are tough, rigid, impact resistant and provide superior stability in addition to being lightweight. All pulls are manufactured with selftapping screw holes.

## BENT WIRE DRAWER PULLS



PART NUMBER	DISTANCE BETWEEN HOLES	MATERIAL	COLOR	BOX QTY
142OB-3000-0000	3"	ABS	BLACK	1,000
142NB-4300-0000	4"	NYLON	BLACK	600

### SPECIFICATIONS

- *Standard Color: Black*
- *Standard Material: See Chart*

### 142 Series

Bent Wire Pulls are distinctive in design and are a perfect complement to most of today's contemporary furniture.

## BROAD BASE DRAWER PULLS



PART NUMBER	DISTANCE BETWEEN HOLES	MATERIAL	COLOR	BOX QTY
142OB-4000-0000	4"	ABS	BLACK	1,000

### SPECIFICATIONS

- *Standard Color: Black*
- *Standard Material: ABS*

### 142 Series

Broad Base Pulls are an attractive and lightweight alternative to heavy wood and metal pulls.

## FINGER DRAWER PULLS



PART NUMBER	DISTANCE BETWEEN HOLES	MATERIAL	COLOR	BOX QTY
142NB-4200-0000	4"	NYLON	BLACK	312

### SPECIFICATIONS

- *Standard Color: Black*
- *Standard Material: Nylon*

### 142 Series

Finger Pulls are an attractive and economical pull manufactured in black nylon.

## FLUSH MOUNT DRAWER PULLS



PART NUMBER	DISTANCE BETWEEN HOLES	MATERIAL	COLOR	BOX QTY
143OA-3740-0000	3-3/4"	ABS	WALNUT	350
143OB-3740-0000	3-3/4"	ABS	BLACK	350
143OE-3740-0000	3-3/4"	ABS	BEIGE	350
143OI-3740-0000	3-3/4"	ABS	IVORY	350
143OG-3740-7600	3-3/4"	ABS	LIGHT GRAY	350
143OW-3740-0000	3-3/4"	ABS	WHITE	350

### SPECIFICATIONS

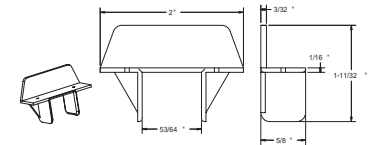
- *Standard Color: See Chart*
- *Standard Material: ABS*

### 143 Series

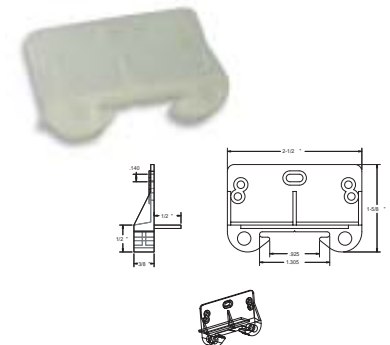
Alliance Plastics' Flush Mount Pulls have become the industry standard. This pull can be used in both wood and metal applications and fits flush with all drawer surfaces. The Flush Mount Pull may be applied with screws and a back plate, or may be glued onto a recessed hole.

# DRAWER HARDWARE

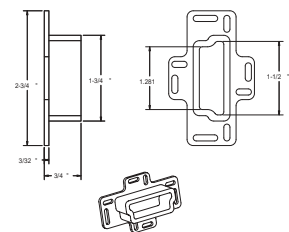
## GUIDES FOR WOOD DRAWER TRACKS



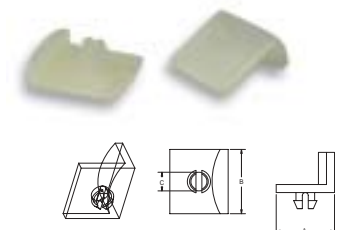
## GUIDES FOR METAL DRAWER TRACKS



## TRACK MOUNTING SOCKET FOR METAL TRACK



## SPLIT STEM DRAWER GUIDES FOR METAL



PART NUMBER	MATERIAL	COLOR	BOX QTY
130LN-0210-0000	LINEAR POLY	WHITE	2,300
130LN-0218-0000	LINEAR POLY	WHITE	2,500

### SPECIFICATIONS

- Standard Color: White
- Standard Material: Linear Poly

### 130 Series

Alliance Plastics' Track Guides are a durable and efficient way of securing a drawer to its track. Available in a variety of sizes, Track Guides provide a secure, smooth sliding contact between a drawer and its track.



PART NUMBER	MATERIAL	COLOR	BOX QTY
130LN-0298-0000	LINEAR POLY	WHITE	5,000
130LN-0320-0000	LINEAR POLY	WHITE	1,000

### SPECIFICATIONS

- Standard Color: White
- Standard Material: Linear Poly

### 130 Series

Alliance Plastics' Track Guides are a durable and efficient way of securing a drawer to its track. Available in a variety of sizes, Track Guides provide a secure, smooth sliding contact between a drawer and its track.



PART NUMBER	MATERIAL	COLOR	BOX QTY
130LN-0295-0000	LINEAR POLY	WHITE	1,000

### SPECIFICATIONS

- Standard Color: White
- Standard Material: Linear Poly

### 130 Series

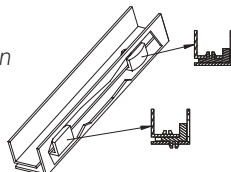
Track Mounting Sockets are an effective method of securing a track to the back of a drawer case.



PART NUMBER	A	B	HOLE SIZE C	MATERIAL	COLOR
153NN-0146-0000	0.453"	0.500"	0.156"	NYLON	NATURAL
153NN-0145-0000	0.562"	0.500"	0.156"	NYLON	NATURAL

### SPECIFICATIONS

- Standard Color: Natural
- Standard Material: Nylon

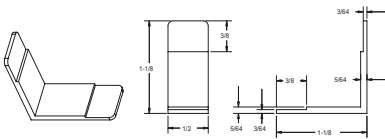


### 153 Series

Split Stem Drawer Glides serve the same function as Side Saddle Drawer Glides, but are designed to be inserted into the side or bottom of a drawer. Manufactured from Nylon, these components have a low coefficient of friction.

# DRAWER HARDWARE

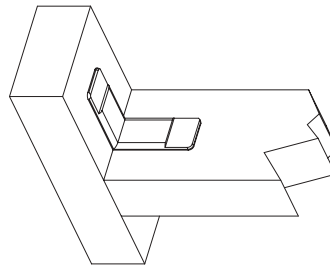
## SIDE SADDLE DRAWER GLIDES



PART NUMBER	MATERIAL	COLOR	BOX QTY
130LN-0168-0000	LINEAR POLY	WHITE	5,000

### SPECIFICATIONS

- Standard Color: White
- Standard Material: Linear Poly



### 130 Series

Side Saddle Drawer Glides are the perfect complement to our complete line of drawer components. Manufactured from durable Linear Polyethylene, the Side Saddle Drawer Glide provides a friction free point at which a drawer may slide. Side Saddle Drawer Glides are usually stapled in place using simple tabs.

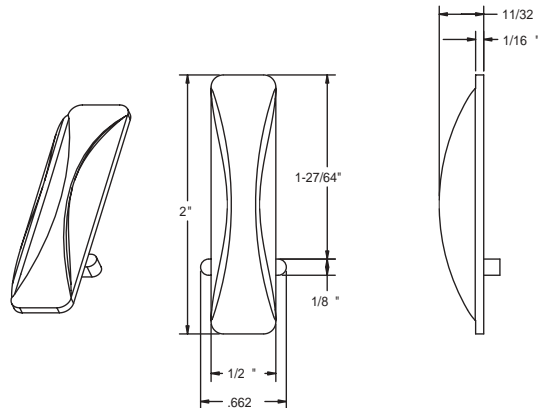
## DRAWER DIVIDER SUPPORT



PART NUMBER	MATERIAL	COLOR	BOX QTY
169LE-4000-0000	LINEAR POLY	BEIGE	5,000
169LN-4000-0000	LINEAR POLY	WHITE	5,000

### SPECIFICATIONS

- Standard Color: White
- Standard Material: Linear Poly



### 169 Series

Manufactured from durable, rigid Linear Polyethylene, Drawer Divider Supports provide a convenient place to insert wood and metal dividers in drawers.