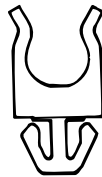


WIRE MANAGEMENT

WIRE CLIP

Reusable features allows wires or tubes to easily slip in and out, yet secure retention is provided.

STYLE A



STYLE B

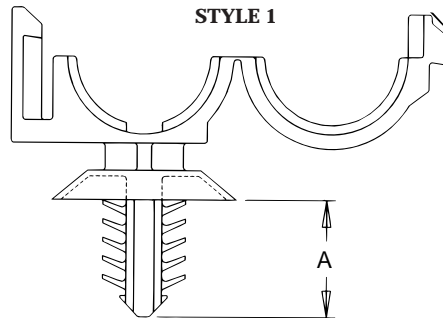


PART NUMBER	NOMINAL BUNDLE DIAMETER	NOMINAL HOLE DIAMETER	PANEL THICKNESS	PRONG LENGTH	PRONG STYLE
1906-00	.312	.350 x .275	.040-.055	.280 REF.	A
1907-00	.531	.394 x .315	.060-.070	.386 REF.	B

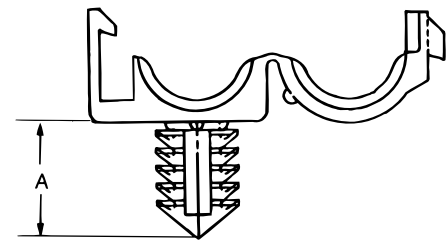
NOTE: Dimensions listed are nominal.

SNAP-IN CLIPS

STYLE 1



STYLE 2



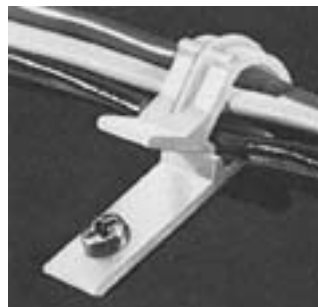
PART NUMBER	BUNDLE SIZE	NOMINAL HOLE DIAMETER	A PRONG LENGTH	PANEL THICKNESS	PRONG STYLE
1908-00	.472	.250	.410 REF.	.020-.197	1
1903-00	.350	.256	.433 REF.	.022-.200	2

NOTE: Dimensions listed are nominal.

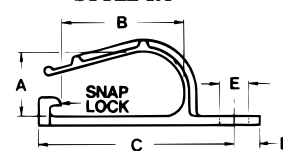
SCREW-DOWN CLIPS

STYLE 1A AND STYLE 2A

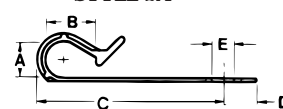
Fastens to panel with a screw, Plasti-Rivet® or Canoe Clip®. Clip snaps open to easily insert or remove wires and cables. Clip snaps shut to secure wires and cables of varying bundle sizes.



STYLE 1A



STYLE 2A



PART NUMBER	STYLE	A	B	C	D	HOLE DIAMETER E
220-414100-01	1A	.640	1.180	1.870	.250	.281
220-242400-01	2A	.375	.500	1.320	.300	.157
220-242400-02	2A	.375	.500	1.320	.300	.210

NOTE: Dimensions listed are nominal.