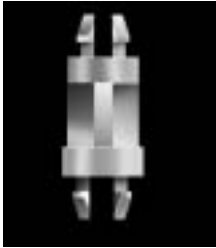
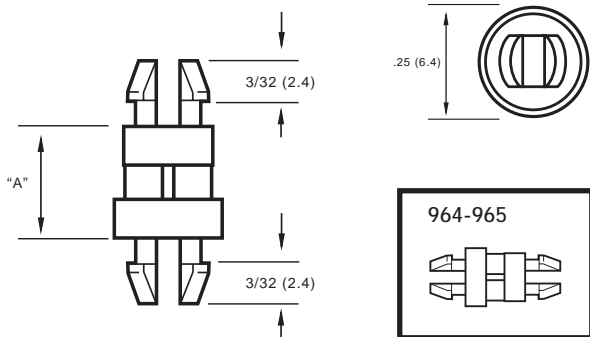


## Support Posts

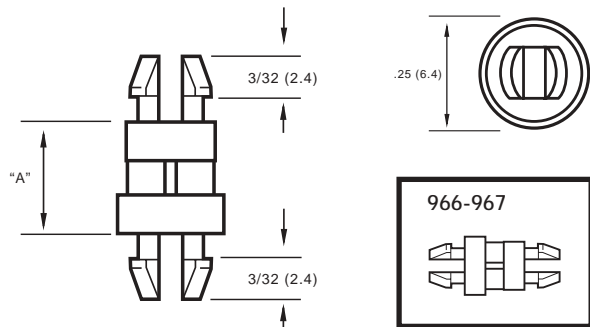


- Easily installed by hand; locks securely yet easily removed by pinching prong tips
- Larger base on one side differentiates one end from the other
- Fits a .062" nom. thick board
- .10" (2.5mm) maximum protrusion past panel
- Standard material molded from U.L. rated 94V-2 nylon (Natural) or flame retardant nylon rated 94V-0 (Off-White)



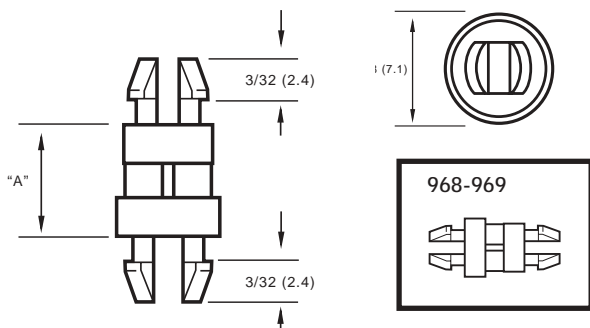
PART # 94V-2 Nylon	PART # Flame Retardant 94V-0 Nylon	"A" inches (mm)
964-187	965-187	3/16" (4.8)
964-250	965-250	1/4" (6.4)
964-375	965-375	3/8" (9.5)
964-500	965-500	1/2" (12.7)
964-625	965-625	5/8" (15.9)
964-750	965-750	3/4" (19.1)
964-875	965-875	7/8" (22.2)
964-1000	965-1000	1" (25.4)

964 & 965 SNAPLOCKS INTO A .156" (4.0) DIA. HOLE, BOTH ENDS.



PART # 94V-2 Nylon	PART # Flame Retardant 94V-0 Nylon	"A" inches (mm)
966-187	967-187	3/16" (4.8)
966-250	967-250	1/4" (6.4)
966-375	967-375	3/8" (9.5)
966-500	967-500	1/2" (12.7)
966-625	967-625	5/8" (15.9)
966-750	967-750	3/4" (19.1)
966-875	967-875	7/8" (22.2)
966-1000	967-1000	1" (25.4)

966 & 967 SNAPLOCKS INTO A .187" (4.8) DIA. HOLE, BOTH ENDS.



PART # 94V-2 Nylon	PART # Flame Retardant 94V-0 Nylon	"A" inches (mm)
968-187	969-187	3/16" (4.8)
968-250	969-250	1/4" (6.4)
968-375	969-375	3/8" (9.5)
968-500	969-500	1/2" (12.7)
968-625	969-625	5/8" (15.9)
968-750	969-750	3/4" (19.1)
968-875	969-875	7/8" (22.2)
968-1000	969-1000	1" (25.4)

\*968 & 969 SNAPLOCKS INTO A .156"/.187" (4.0/4.8) COMBINATION.