

ELECTRICAL/ELECTRONIC COMPONENTS

GROUNDING CLIPS STRANDED WIRE

UL and CSA recognized clips attach easily over panel or hole edge top to achieve positive ground wire contact with panel, plate or frame. Wire contact is achieved by either quick connect terminals or insulation displacement. Wire stripping, soldering and termination not required. For 18 to 12 gauge stranded wire.

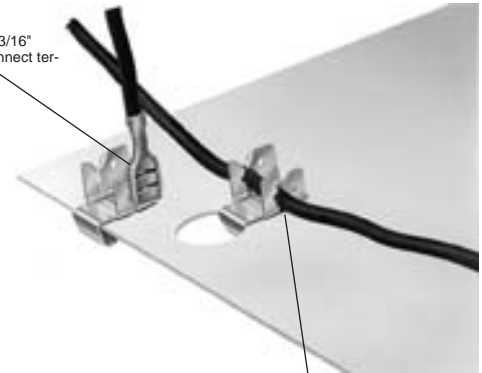
 UL File Number E54730

 CSA File Number LR34995

PART NO.	STYLE	PANEL THICKNESS RANGE A
8182-84-00	1A	.020-.078
8182-84-01	1A	.078-.125
8182-84-02*	1B	.028-.033
8182-84-03	1B	.018-.028
6400-00	1A	.015-.078

*Note: UL Recognized Only.

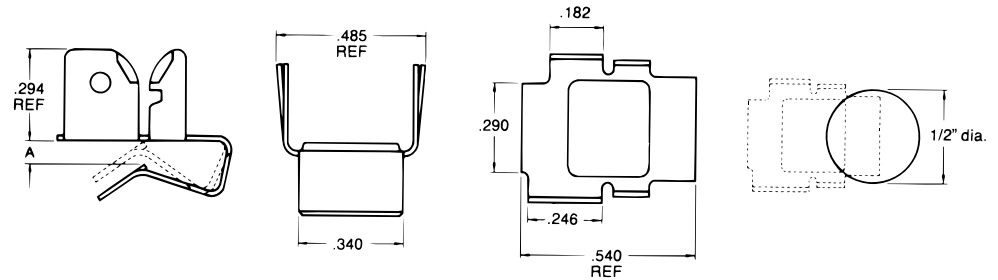
Accepts 1/4" or 3/16" female quick connect terminals



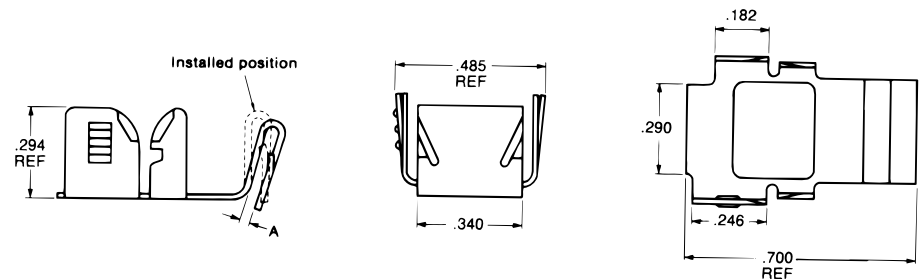
Wire insulation displacement termination.

NOTE: Dimensions listed are nominal.

STYLE 1A



STYLE 1B

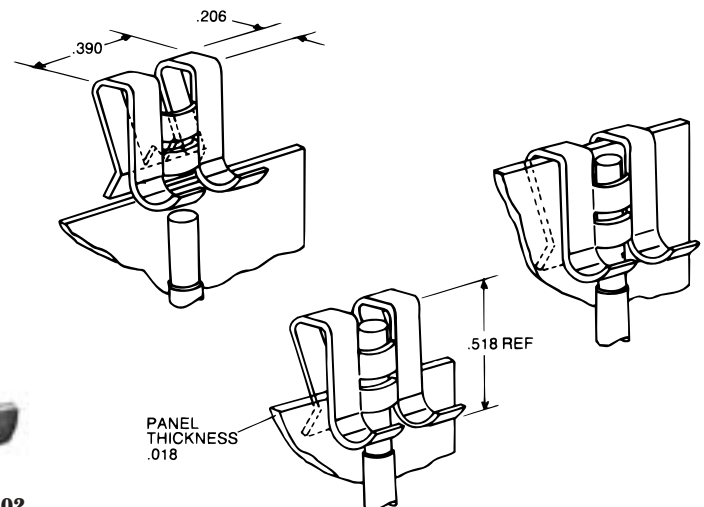


GROUNDING CLIPS SOLID CONDUCTOR

Blades cut through paint coating to provide metal to metal contact with plate.

Installation—Attached with a screwdriver. Soldering screw mounting and special termination not required. UL recognized clips accommodate 14 to 12 gauge solid core wire.

STYLE 2



PART NUMBER 8182-85-02

NOTE: Dimensions listed are nominal.