

# ACCESS PANEL FASTENERS

## PUSH-LOCK

Part Number: IV603-9-999-9  
(Formerly Part Number: 7803-00-9909)

The Push-Lock panel fastener is a labor-saving, cost-effective latching device, ideal for lightweight doors, compartments and control panel covers. Snaps easily in from the front and locks securely in place. All that is necessary is a punched hole – no screws, bolts, rivets or other fasteners are required, dramatically reducing installation time. This one-piece assembly is small in comparison to similar latching devices, making it ideal for low profile applications.

- Fast, easy installation from front panel;
- Economical;
- Reliable long-life closure (cycled at 30,000 times).

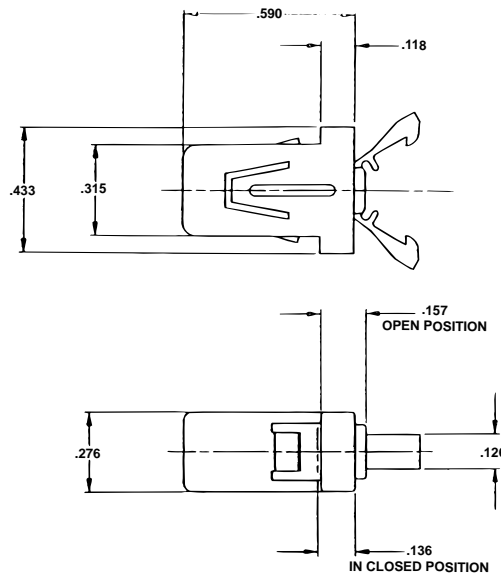
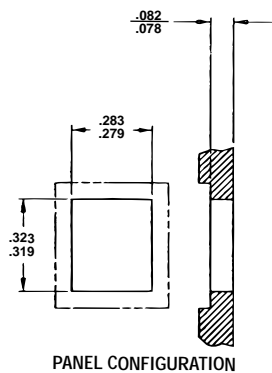
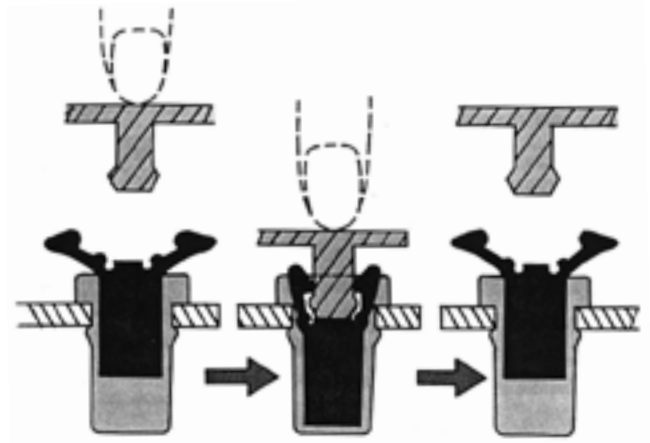
### Specifications:

Push-In Force: 2.6 lbs.

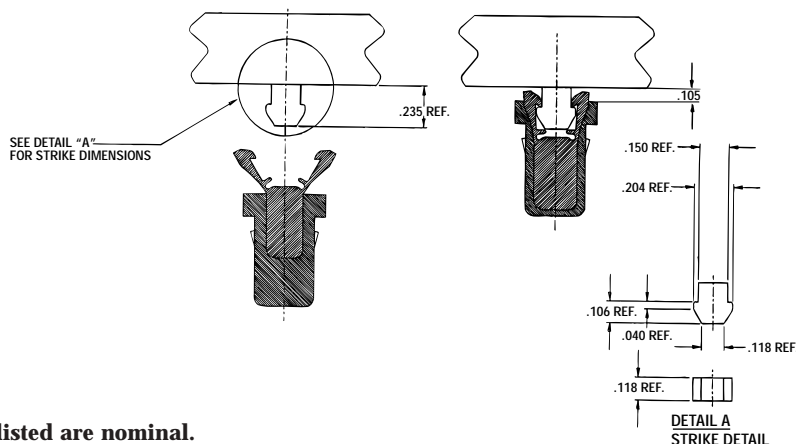
Pull-Out Force: 3.6 lbs.

Operating Temperature: 14°F – 140°F (-10°C – +60°C)

Note: These push-in pull-out forces are given only as a guideline. User should evaluate for specific applications.



Strike is not provided by Fastex. Dimensions given for reference only.



**NOTE: Dimensions listed are nominal.**